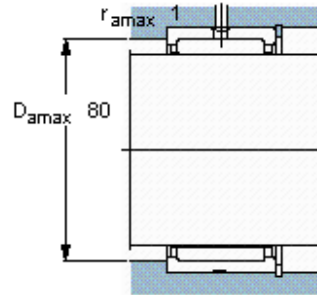
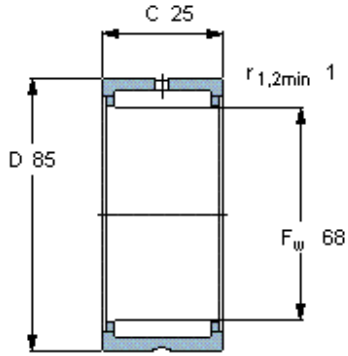


Needle roller bearings, with machined rings, with flanges, without an inner ring

Principal dimensions			Basic load ratings		Speed ratings	Designation	
F _w	D	C	dynamic C	static C0	Reference speed	Limiting speed	
mm			kN		r/min	-	
68	85	25	60,5	114	6000	6700	RNA 4912



Appropriate seals

- G seal -
- SD seal -
- CR seal -